



PAC SERIES

The PAC series is a range of professional AC/DC current clamps.

There are two different jaw designs available for clamping cables and small busbars.

The PAC series clamps operate on the Hall effect principle, allow current measurement up to 1,500 A DC and 1,000 A AC. The electronics and the batteries are all located in the clamp handles. There are two sensitivity levels available: 1 mV/A and 10 mV/A.

A push button operates the automatic DC zeroing on models PAC 11, 12, 21 and 22.

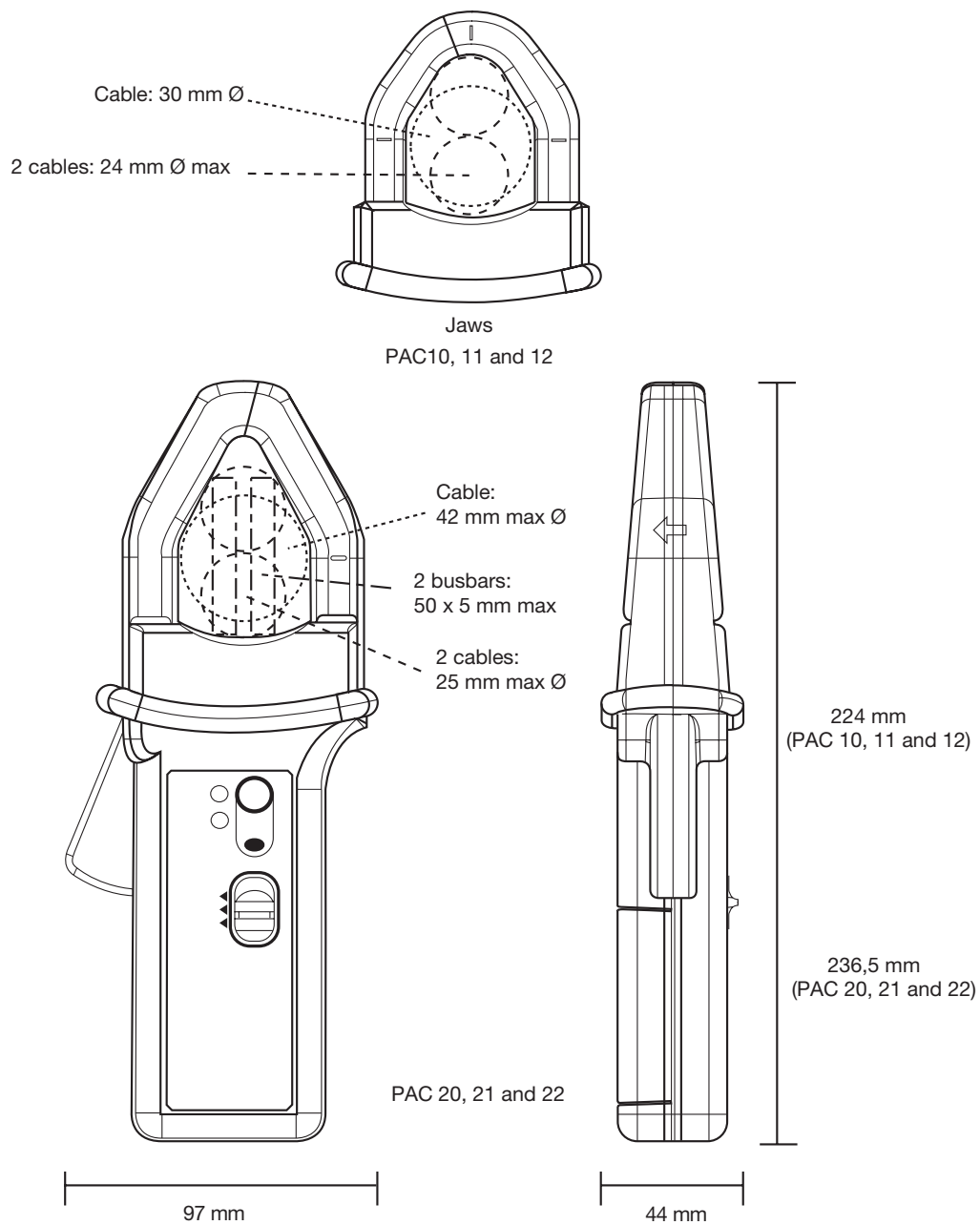
Models PAC 10 and PAC 20 have potentiometer-operated zero adjustment.

TRMS measurement with the DC component is possible using a multimeter or power meter with suitable capabilities.

Models PAC 12 and PAC 22 are designed for use with oscilloscopes and other BNC-input instruments.



Autorisierter Distributor



Current clamp for AC/DC current

Model PAC10

PAC series

Current	400 A AC 600 A DC
Output	1 mV/A

DESCRIPTION

Model PAC10 operates using the Hall effect, for precise measurement of AC or DC currents. It has a mV output so that a direct reading may be made on a multimeter or logging equipment, etc.

ELECTRICAL SPECIFICATIONS

- **Current calibres:**
0.5 A AC .. 400 A AC (600 A peak)
0.5 A AC .. 600 A DC
- **Output signal:**
1 mV/A
- **Accuracy ⁽¹⁾:**

Current range	1 A .. 100 A	100 A .. 400 A
Accuracy in % of output signal	1.5% ± 1 mV	2% 400 A .. 600 A DC: 2.5%

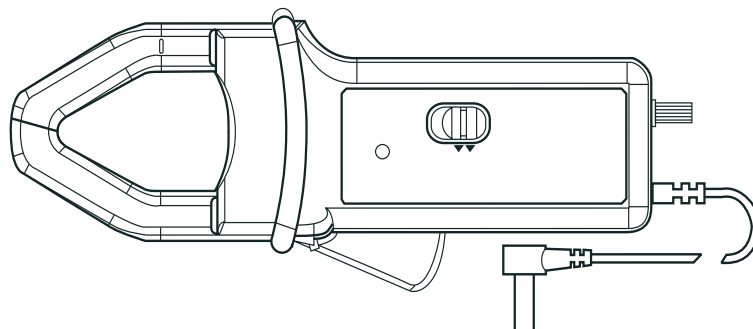
- **Phase shift ⁽¹⁾:**

Current range	10 A .. 200 A	200 A .. 400 A
Phase shift from 45 Hz .. 65 Hz	< 2.5°	< 2°

- **Overload:**
2,000 A DC and 1,000 A AC up to 1 kHz
- **Bandwidth:**
DC .. 5 kHz
- **Noise:**
DC at 1 kHz: < 1 mV
DC at 5 kHz: < 1.5 mV
0.1 Hz at 5 kHz: < 500 µV
- **Load impedance:**
1 MΩ and ≤ 100 pF
- **Insertion impedance:**
0.39 mΩ at 50 Hz, 58 mΩ at 1,000 Hz
- **Rise time and fall time:**
< 100 µs from 10 % to 90 % of the voltage value
- **Operating voltage:**
600 V_{RMS}
- **Common mode voltage:**
600 V_{RMS}
- **Influence of adjacent conductor:**
< 10 mA/A at 50 Hz
- **Influence of conductor position in jaws:**
0.5 % of the reading
- **Battery:**
9 V alkaline (NEDA 1604 A, IEC 6LR61)
- **Low battery signal:**
Green LED when the battery voltage > 6.5 V
- **Battery life:**
120 hours with Alkaline battery

MECHANICAL SPECIFICATIONS

- **Operating temperature:**
-10 °C to +55 °C
- **Storage temperature:**
-40 °C to +80 °C
- **Relative humidity for operation:**
+10 °C to +35 °C: 90 ± 5 % RH (without condensation)
+40 °C to +55 °C: 70 ± 5 % RH (without condensation)
- **Influence of temperature:**
< 300 ppm/°K or 0.3%/10 °K
< 0.3 A/°K
- **Influence of humidity:**
10 % to 90 % RH at reference temperature: < 0.1 %
- **Operating altitude:**
0 to 2,000 m
- **DC zero adjustment:**
±12 A (10-turn potentiometer)
- **Max. jaw insertion capacity:**
1 cable Ø 30 mm or 2 cables from Ø 24 mm
- **Casing protection rating:**
IP30 in accordance with IEC 529
- **Drop test:**
1 m on a 38 mm container of oak on concrete, test in accordance with IEC 1010



- **Shock resistance:**
100 g, in accordance with IEC 68-2-27
- **Vibration resistance:**
Test in accordance with IEC 68-2-6
- **Frequency range:**
5 Hz to 15 Hz: amplitude: 1.5 mm
15 Hz to 25 Hz: amplitude: 1 mm
25 Hz to 55 Hz: amplitude: 0.25 mm
- **Self-extinguishing capability:**
Casing and jaws: UL94 V0
- **Dimensions:**
224 x 97 x 44 mm
- **Weight:**
440 g
- **Colours:**
Dark grey and red jaws
- **Output:**
Via 1.5 m double insulated cable with 4 mm male safety plug

SAFETY SPECIFICATIONS

- **Electrical safety:**
Double or reinforced insulation between the primary, the secondary and outer casing in accordance with IEC 1010-1-2 (indoor use).
600 V category III, pollution 2
300 V category IV, pollution 2
- **Electromagnetic compatibility (EMC):**
EN 50081-1: class B
EN 50082-2:
- Electrical discharge IEC 1000-4-2
- Radiated field IEC 1000-4-3
- Fast transients IEC 1000-4-4
- Magnetic field at 50/60 Hz IEC 1000-4-8

(1) Conditions of reference: 18 °C at 28 °C, 20 % to 75 % RH, 48 to 65 Hz, external magnetic field < 40 A/m, no DC component, no current-carrying conductor nearby, centred test sample, charge ≥ 1 MΩ and ≤ 100 pF, reset to zero before measurement (only DC) DC to 65 Hz, batteries 9 V ± 0.1 V

To order	Reference
AC/DC current clamp model PAC10 with battery and user's manual	P01120070

Current clamp for AC/DC current

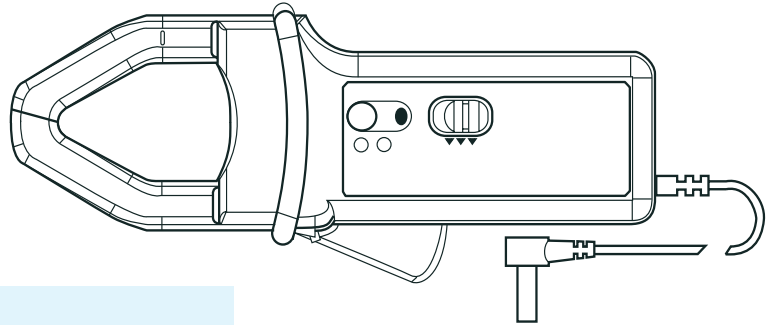
Model PAC11

PAC series

Current	40 A AC 60 A DC	400 A AC 600 A DC
Output	10 mV/A	1 mV/A

DESCRIPTION

The PAC11 model accurately measures AC or DC currents using the Hall-effect principle. This clamp with mV output on BNC (direct reading on multimeters, etc.) is equipped with an automatic DC zero system.



ELECTRICAL SPECIFICATIONS

Calibre	60 A	600 A
Current range	0.2 A .. 40 A (60 A peak) 0.4 A .. 60 A DC	0.5 A .. 400 A (600 A peak) 0.5 A .. 600 A DC
Output signal	10 mV/A	1 mV/A
% Accuracy of output signal ⁽¹⁾	0.5 A .. 40 A: 1.5 % ±5 mV 40 A .. 60 A DC: 1.5 %	0.5 A .. 100 A: 1.5 % ±1 mV 100 A .. 400 A DC: 2 % 400 A .. 600 A DC: 2.5 %
Phase shift (45 .. 65 Hz) ⁽¹⁾	10 A .. 20 A: < 3° 20 A .. 40 A: < 2°	10 A .. 100 A: < 2° 100 A .. 400 A: < 1.5°
Noise	DC .. 1 kHz: < 8 mV DC .. 5 kHz: < 12 mV 0.1 Hz .. 5 kHz: < 2 mV	DC .. 1 kHz: < 1 mV DC .. 5 kHz: < 1.5 mV 0.1 Hz .. 5 kHz: < 500 µV
Rise/fall time	≤ 100 µs from 10 % to 90 % of the voltage value	≤ 70 µs from 10 % to 90 % of the voltage value

- **Overload:**
2,000 A DC and 1,000 A AC up to 1 kHz
- **Bandwidth:**
DC .. 10 kHz at -3 dB
- **Load impedance:**
≥ 1 MΩ and ≤ 100 pF
- **Insertion impedance:**
0.39 mΩ at 50 Hz, 58 mΩ at 1,000 Hz
- **Operating voltage:**
600 V_{RMS}
- **Common mode voltage:**
600 V_{RMS}
- **Influence of adjacent conductor:**
< 10 mA/A at 50 Hz
- **Influence of conductor position in jaws:**
0.5 % of the reading
- **Battery:**
9 V alkaline (NEDA 1604 A, IEC 6LR61)
- **Low battery signal:**
Green LED when the battery voltage > 6.5 V
- **Battery life:**
50 hours with Alkaline battery.
- **Overload indication:**
Red LED
Auto switch-off: 0 minute

MECHANICAL SPECIFICATIONS

- **Operating temperature:**
-10 °C to +55 °C
- **Storage temperature:**
-40 °C to +80 °C
- **Relative humidity for operation:**
+10 °C to +35 °C:
90 ± 5 % RH (without condensation)
+40 °C to +55 °C:
70 ± 5 % RH (without condensation)
- **Influence of temperature:**
< 300 ppm/°K or 0.3 %/10 °K
< 0.3 A/°K
- **Influence of humidity:**
10 % at 90 % RH at reference temperature: < 0.1 %
- **Operating altitude:**
0 to 2,000 m
- **DC zero adjustment:**
Automatically operated by button (± 10 A)
- **Max. jaw insertion capacity:**
1 cable Ø 30 mm or 2 cables from Ø 24 mm or
2 busbars from 31.5 x 10 mm
- **Casing protection rating:**
IP30 in accordance with IEC 529

- **Drop test:**
1 m on a 38 mm container of oak on concrete,
test in accordance with IEC 1010
- **Shock resistance:**
100 g, in accordance with IEC 68-2-27
- **Vibration resistance:**
Test in accordance with IEC 68-2-6
- **Frequency range:**
5 Hz to 15 Hz: amplitude: 1.5 mm
15 Hz to 25 Hz: amplitude: 1 mm
25 Hz to 55 Hz: amplitude: 0.25 mm
- **Self-extinguishing capability:**
Casing and jaws: UL94 V0
- **Dimensions:**
224 x 97 x 44 mm
- **Weight:**
440 g
- **Colours:**
Dark grey and red jaws
- **Output:**
Via 1.5 m double insulated cable with 4 mm male
safety plug

SAFETY SPECIFICATIONS

- **Electrical safety:**
Double or reinforced insulation between the primary
and secondary circuits and the outer casing in
accordance with IEC 1010-1-2 (indoor use).
600 V category III, pollution 2
300 V category IV, pollution 2
- **Electromagnetic compatibility (EMC):**
EN 50081-1: class B
EN 50082-2:
- Electrical discharge IEC 1000-4-2
- Radiated field IEC 1000-4-3
- Fast transients IEC 1000-4-4
- Magnetic field at 50/60 Hz
IEC 1000-4-8

(1) Conditions of reference: 18 °C at 28 °C, 20 to 75 % RH, 48 to 65 Hz, external magnetic field < 40 A/m, no DC component,
no current-carrying conductor nearby, centred test sample, charge ≥ 1 MΩ and ≤ 100 pF, reset to zero before measurement (only DC) DC to 65 Hz, batteries 9 V ±0.1 V

To order	Reference
AC/DC current clamp model PAC11 with battery and user's manual	P01120068

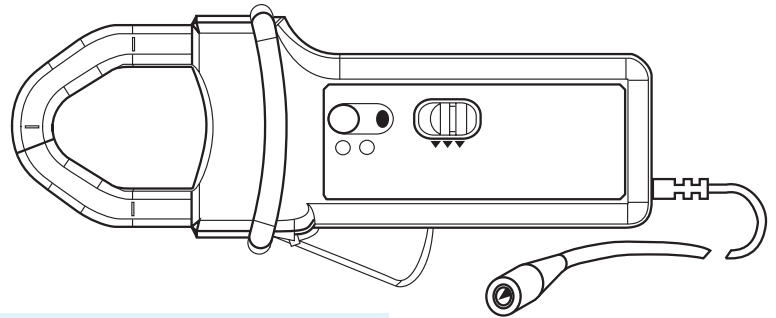
Model PAC12 (insulated AC/DC current probe)

Current	40 A AC 60 A DC	400 A AC 600 A DC
Output	10 mV/A	1 mV/A

DESCRIPTION

The PAC12 model accurately measures AC or DC currents by using the Hall-effect principle.

This clamp with mV output on BNC (direct reading on oscilloscopes, etc.) is equipped with an automatic DC Zero system.



ELECTRICAL SPECIFICATIONS

- **Current range:**
0.2 A AC .. 40 A AC (60 A peak) / 0.4 A DC .. 60 A DC
0.5 A AC .. 400 A AC (600 A peak) / 0.5 A DC .. 600 A DC

- **Output signal:**
10 mV AC+DC / A AC+DC (0.6 V for 60 A)
1 mV AC+DC / A AC+DC (0.6 V for 600 A)

- **Accuracy and phase shift ⁽¹⁾:**

- 60 A calibre

Primary current	0.5 A .. 10 A	10 A .. 20 A	20 A .. 40 A	40 A .. 60 A (only DC)
% Accuracy of output signal	≤ 1.5 % + 5 mV	≤ 1.5 % + 5 mV	≤ 1.5 % + 5 mV	≤ 1.5 %
Phase shift	not specified	≤ 3°	≤ 2.2°	-

- 600 A calibre

Primary current	0.5 A .. 10 A	10 A .. 100 A	100 A .. 300 A	300 A .. 400 A	400 A .. 600 A (only DC)
% Accuracy of output signal	≤ 1.5 % + 1 mV	≤ 1.5 % + 1 mV	≤ 2 %	≤ 2 %	≤ 2.5 %
Phase shift	not specified	≤ 2.2°	≤ 2.2°	≤ 1.5°	-

- **Bandwidth:**
DC .. 10 kHz (-3 dB) (depending on current value)

- **Rise/fall time from 10 % to 90 %:**
29 μs

- **10 % delay time:**
15 μs

- **Insertion impedance (at 400 Hz / 10 kHz):**
< 2.7 mΩ / < 72 mΩ

- **Maximum currents:**
3,000 A DC or 1,000 A AC continuous for a frequency ≤ 1 kHz (limitation proportional to the inverse of one third of the frequency above that)

- **DC zero adjustment:**

Automatic

- 60 A calibre:
± 10 A in 25 to 40 mA increments

- 600 A calibre:
± 10 A in 25 to 40 mA increments

- **Typical output noise level (peak-peak) from DC to 100 kHz:**

- 60 A calibre:
DC to 1 kHz: ≤ 8 mV or 0.8 A DC
DC to 5 kHz: ≤ 12 mV or 1.2 A DC
0.1 Hz to 5 kHz: ≤ 2.0 mV_{RMS} or 0.2 A_{RMS}

- 600 A calibre:
DC to 1 kHz: ≤ 1 mV or 1 A DC
DC to 5 kHz: ≤ 1.5 mV or 1.5 A DC
1 Hz to 5 kHz: ≤ 500 μV_{RMS} or 0.5 A_{RMS}

- **Battery:**
9 V alkaline (NEDA 1604A, IEC 6LR61)

- **Battery life:**
50 hours typical

- **Typical consumption:**
10 mA typical / 14 mA max.

- **Battery level indicator:**
Green LED

- **Overload indication:**
Red LED indicates if measured current is too high for the selected range
Influence of power supply voltage:
≤ 0.1 % of the reading

- **Influence of temperature:**
Measurement: ≤ 300 ppm/K or 0.3 % of output signal per 10 °K
DC zero: 40 mA/10 °K

- **Influence of relative humidity:**
< 0.5 % of output signal

- **Influence of adjacent conductor at 23 mm:**
≤ 10 mA/A at 50 Hz

- **Influence of external field:**
≤ 1.3 A at 400 A/m

- **Influence of Ø 20 mm conductor position in jaws:**
DC to 440 Hz: ≤ 0.5 % of the reading
DC to 1 kHz: ≤ 1 % of the reading
DC to 2 kHz: ≤ 3 % of the reading
DC to 5 kHz: ≤ 10 % of the reading

- **Influence of frequency ⁽²⁾:**

< 1 % of output signal from 65 Hz .. 440 Hz
< 3.5 % of output signal from 440 Hz .. 2 kHz
3 dB % of output signal from 2 kHz .. 10 kHz

- **Common mode rejection:**
> 65 dB A/V at 50 Hz

- **Remanence:**

0 to 50 A DC: 0.8 A typical
0 to 100 A DC: 1.3 A typical
0 to 200 A DC: 2.1 A typical
0 to 400 A DC: 3.3 A typical
0 to 600 A DC: 4.0 A typical

MECHANICAL SPECIFICATIONS

- **Max. jaw opening:**
31 mm

- **Clamping capacity:**

Cables: Ø 30 mm
Ø 24 mm x 2
Bars: 1 busbar 50 x 10 mm
2 busbars 31.5 x 10 mm
3 busbars 25 x 8 mm
4 busbars 25 x 5 mm

- **Output:**
Coaxial cable 2 m long, terminated by an insulated BNC connector
- **Dimensions:**
224 x 97 x 44 mm
- **Weight:**
440 g with battery
- **Operating temperature:**
-10 °C to +55 °C
- **Storage temperature:**
-40 °C to +80 °C
- **Relative humidity for operation:**
0 to 85 % RH with a linear decrease above 35 °C
- **Operating altitude:**
0 to 2,000 m
- **Casing protection rating:**
IP40 (IEC 529)
- **Drop test:**
1 m (IEC 68-2-32)
- **Shock resistance:**
100 g / 6 ms / half-periode (IEC 68-2-27)
- **Protection against impacts:**
IK04 0.5 J (EN 50102)
- **Vibration resistance:**
5-15 Hz: 1.5 mm peak
15-25 Hz: 1 mm peak
25-55 Hz: 0.25 mm peak (IEC 68-2-6)
- **Self-extinguishing capability:**
UL94 V2
- **Colours:**
Dark grey casing with red jaws

SAFETY SPECIFICATIONS

- **Electrical safety:**
Instrument with double insulation or reinforced insulation between the primary the secondary and the grippable part located under the guard as per IEC 1010-1 & IEC 1010-2-032
- 600 V category III, pollution degree 2
- 300 V category IV, pollution degree 2
- **Electromagnetic compatibility (EMC):**
EN 50081-1: class B
EN 50082-2:
- Electrostatic discharge IEC 1000-4-2:
4 kV in contact, performance criterion B
8 kV in the air, performance criterion B
- Radiated field IEC 1000-4-3:
3 V/m level 2: influence < 5 % of measurement range
- Fast transients IEC 1000-4-4:
1 kV performance criterion B
- Magnetic field at the network frequency IEC 1000-4-8: field of 30 A/m at 50 Hz level 4 performance criterion A
- Conducted disturbances (IEC 1000-4-6):
3 V performance criterion A

(1) Conditions of reference: 23 °C ± 5 °K, 20 % at 75 % RH, power supply voltage 9 V ± 0.1 V DC sinusoidal signal with frequency of DC to 65 Hz, external magnetic field < 40 A/m, no DC components, no external conductor with circulating current, conductor centred for measurement, load impedance > 1 MΩ / < 100 pF.

(2) Out of reference domain.

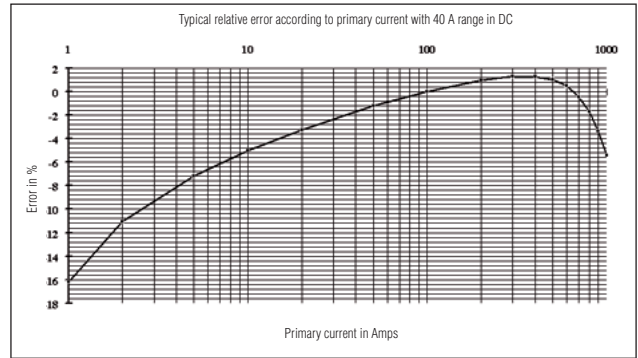
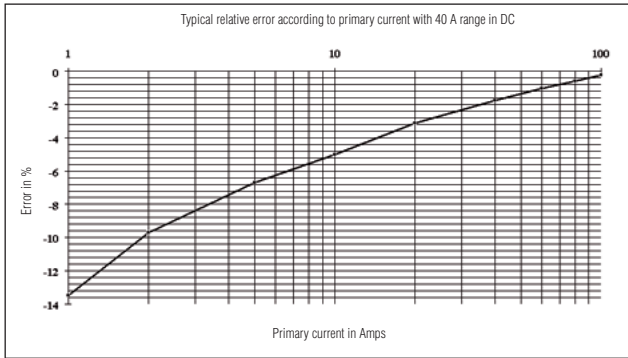
To order	Reference
AC/DC current clamp model PAC12 for oscilloscope with battery and user's manual	P01120072

CURVES

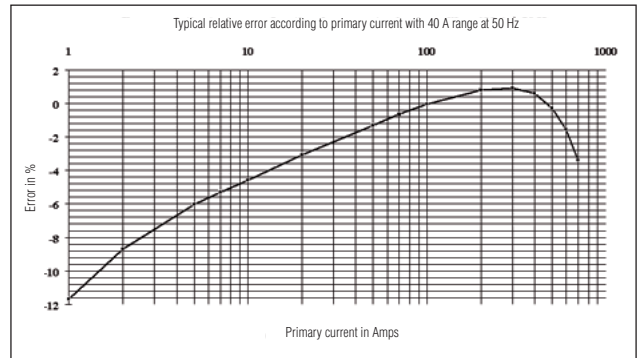
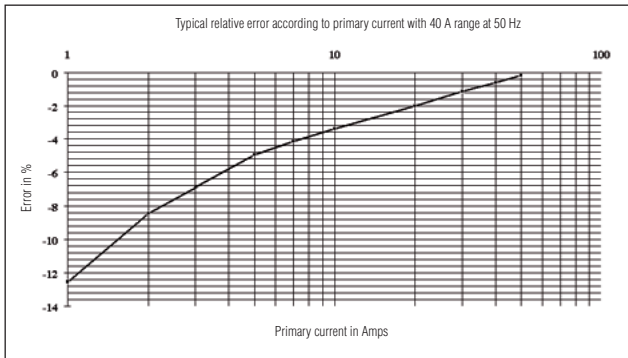
60 A calibre

600 A calibre

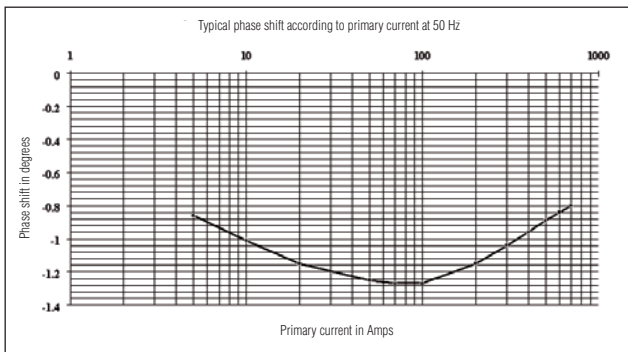
Linearity with DC



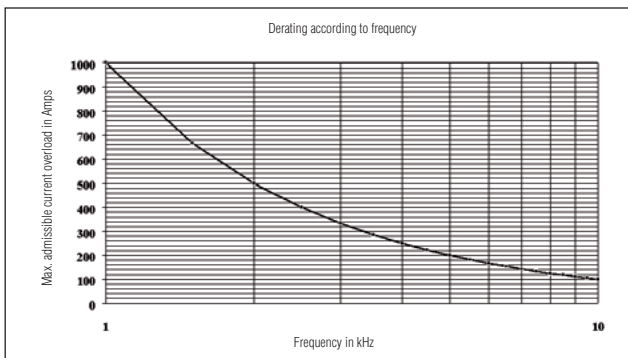
Linearity with AC



Phase shift



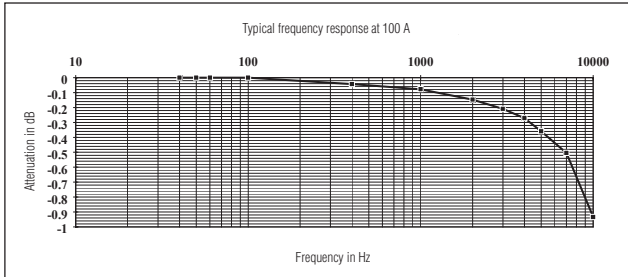
Limitation of measurable current according to the frequency



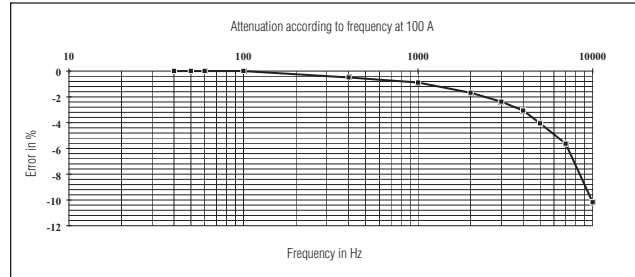
CURVES

600 A calibre

Frequency response



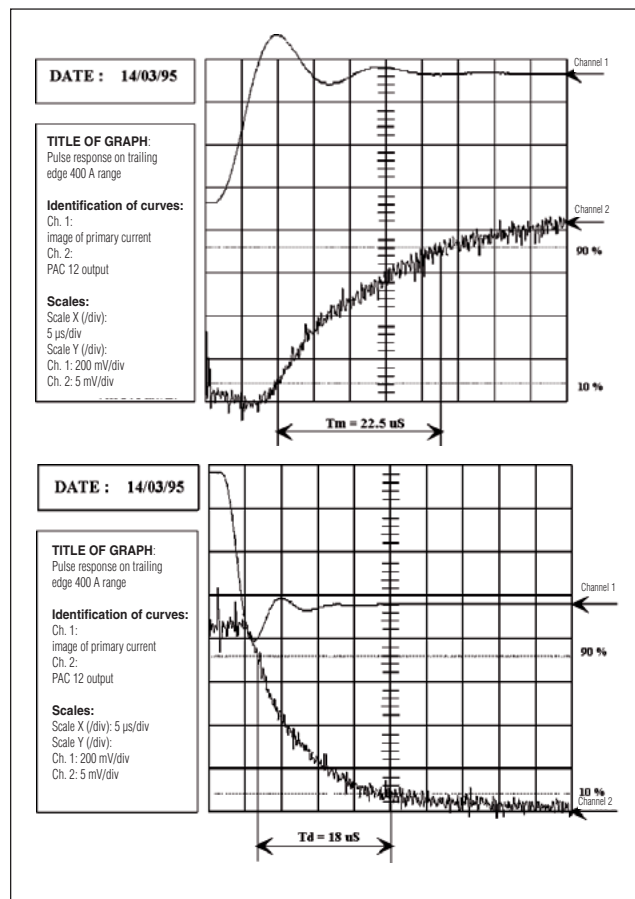
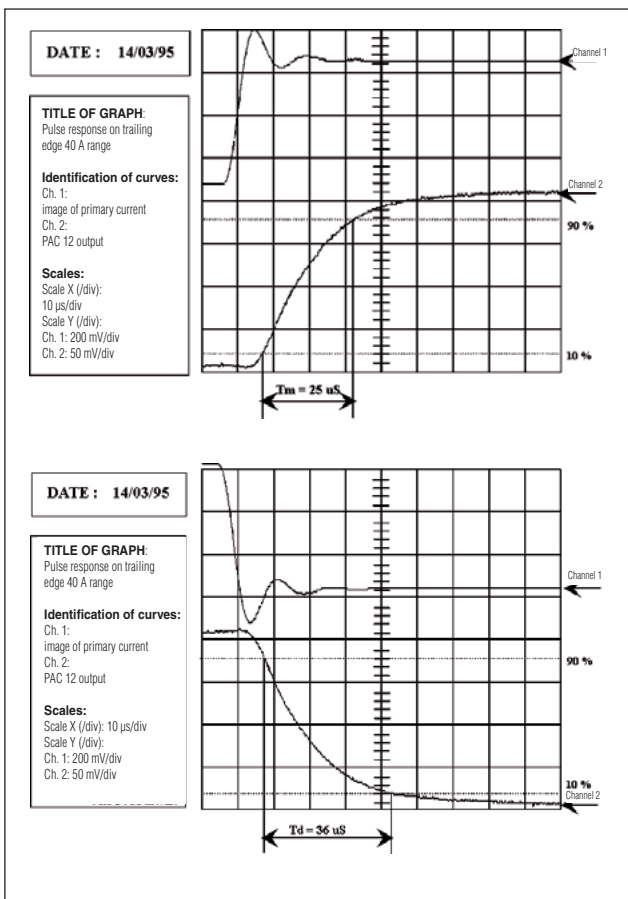
Attenuation according to the frequency



60 A calibre

600 A calibre

Pulse response



Current clamp for AC/DC current

Model PAC20

PAC series

Current	1,000 A AC 1,400 A DC
Output	1 mV/A

DESCRIPTION

The PAC20 model accurately measures AC or DC currents by using the Hall-effect principle. This clamp has a mV output so that direct readings may be made with a multimeter or logging equipment, etc.

ELECTRICAL SPECIFICATIONS

- Current range:**
0.5 A .. 1,000 A AC (1,400 A peak)
0.5 A .. 1,400 A DC
- Output signal:**
1 mV/A
- Accuracy ⁽¹⁾:**

Current range	1 A .. 100 A	100 A .. 800 A	800 A .. 1,000 A
Accuracy in % of output signal	1.5 % ± 1 mV	2.5 %	4 % 1,000 A .. 1,400 A DC: 4 %

- Phase shift ⁽¹⁾:**

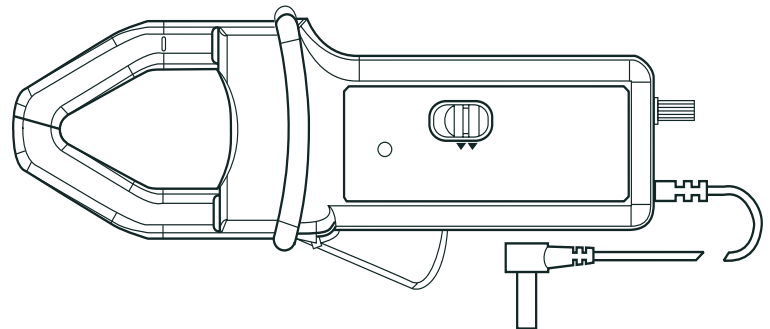
Current range	10 A .. 200 A	200 A .. 1,000 A
Phase shift 45 Hz .. 65 Hz	< 2.5°	< 2°

- Overload:**
3,000 A DC and 2,000 A AC up to 1 kHz
- Bandwidth:**
DC .. 5 kHz
- Noise:**
DC .. 1 kHz: < 1 mV
DC .. 5 kHz: < 1.5 mV
0.1 Hz .. 5 kHz: < 500 µV
- Load impedance:**
> 100 kΩ at 100 pF
- Insertion impedance:**
0.39 mΩ at 50 Hz, 58 mΩ at 1,000 Hz
- Rise time and fall time:**
Rise:
< 100 µs from 10 % to 90 % of the voltage value
Fall:
< 100 µs from 10 % to 90 % of the voltage value
- Operating voltage:**
600 V_{RMS}
- Common mode voltage:**
600 V_{RMS}
- Influence of adjacent conductor:**
< 10 mA/A at 50 Hz
- Influence of conductor position in jaws:**
0.5 % of the reading
- Battery:**
9 V alkaline (NEDA 1604 A, IEC 6LR61)
- Low battery signal:**
Green LED when the battery voltage > 6.5 V

- Battery life:**
120 hours with Alkaline battery

MECHANICAL SPECIFICATIONS

- Operating temperature:**
-10 °C to +55 °C
- Storage temperature:**
-40 °C to +80 °C
- Relative humidity for operation:**
+10 °C to +35 °C: 90 ± 5 % RH (without condensation)
+40 °C to +55 °C: 70 ± 5 % RH (without condensation)
- Influence of temperature:**
< 300 ppm/°K or 0.3 %/10 °K
< 0.3 A/°K
- Influence of humidity:**
10 % .. 90 % RH at reference temperature: < 0.1 %
- Operating altitude:**
0 to 2,000 m
- Zero adjustment:**
±12 A (10-turn potentiometer)
- Max. jaw insertion capacity:**
1 cable Ø 42 mm, 2 cables from Ø 25.4 mm or
2 busbars from 50 x 5 mm
- Casing protection rating:**
IP30 in accordance with IEC 529



- Drop test:**
1 m on a 38 mm container of oak on concrete, test in accordance with IEC 1010
- Shock resistance:**
100 g, in accordance with IEC 68-2-27
- Vibration resistance:**
Test in accordance with IEC 68-2-6
- Frequency range:**
5 to 15 Hz: amplitude: 1.5 mm
15 to 25 Hz: amplitude: 1 mm
25 to 55 Hz: amplitude: 0.25 mm
- Self-extinguishing capability:**
Casing and jaws: UL 94 V0
- Dimensions:**
236.5 x 97 x 44 mm
- Weight:**
520 g
- Colours:**
Dark grey and red jaws
- Output:**
via 1.5 m double insulated cable with 4 mm male safety plug

SAFETY SPECIFICATIONS

- Electrical safety:**
Double or reinforced insulation between the primary and secondary circuits and the outer casing in accordance with IEC 1010-1-2 (indoor use).
600 V category III, pollution 2
300 V category IV, pollution 2
- Electromagnetic compatibility (EMC):**
EN 50081-1: class B
EN 50082-2:
- Electrical discharge IEC 1000-4-2
- Radiated field IEC 1000-4-3
- Fast transients IEC 1000-4-4
- Magnetic field at 50/60 Hz IEC 1000-4-8

(1) Conditions of reference: 18 °C at 28 °C, 20 % to 75 % RH, 48 Hz to 65 Hz, external magnetic field < 40 A/m, no DC component, no current-carrying conductor nearby, centred test sample, charge ≥ 1 MΩ and ≤ 100 pF, reset to zero before measurement (only DC) DC to 65 Hz, battery 9 V ± 0.1 V

To order	Reference
AC/DC current clamp model PAC20 with battery and user's manual	P01120071

Current clamp for AC/DC current

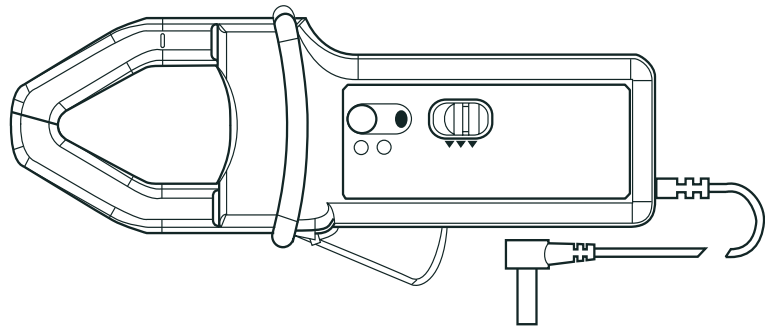
Model PAC21

PAC series

Current	100 A AC 150 A DC	1,000 A AC 1,400 A DC
Output	10 mV/A	1 mV/A

DESCRIPTION

The PAC21 model accurately measures AC or DC currents using the Hall-effect principle. This clamp with mV output (direct reading on multimeters, etc.) is equipped with an automatic DC zero system.



ELECTRICAL SPECIFICATIONS

Calibre	150 A	1,400 A
Current range	0.2 A .. 100 A (150 A peak) 0.4 A .. 150 A DC	0.5 A .. 1,000 A (1,400 A peak) 0.5 A .. 1,400 A DC
Output signal	10 mV/A	1 mV/A
Accuracy in % of output signal	0.5 A .. 20 A: 1.5% ±5 mV 20 A .. 100 A DC: 1.5% 100 A .. 150 A DC: 2.5%	0.5 A .. 100 A: 1.5% ±1 mV 100 A .. 800 A DC: 2.5% 800 A .. 1,000 A DC: 4% 1,000 A .. 1,400 A DC: 4%
Phase shift (45 .. 65 Hz) ⁽¹⁾	10 A .. 20 A: < 3° 20 A .. 100 A: < 2°	10 A .. 200 A: < 2° 200 A .. 1,000 A: < 1.5°
Noise	DC .. 1 kHz: < 8 mV DC .. 5 kHz: < 12 mV 0.1 Hz .. 5 kHz: < 2 mV	DC .. 1 kHz: < 1 mV DC .. 5 kHz: < 1.5 mV 0.1 Hz .. 5 kHz: < 500 µV
Rise/fall time	≤ 100 µs from 10% to 90% of the voltage value	≤ 70 µs from 10% to 90% of the voltage value

- **Overload:**
3,000 A DC and 2,000 A AC up to 1 kHz
- **Bandwidth:**
DC .. 10 kHz at -3 dB
- **Load impedance:**
≥ 1 MΩ and ≤ 100 pF
- **Insertion impedance:**
0.39 mΩ at 50 Hz, 58 mΩ at 1,000 Hz
- **Operating voltage:**
600 V_{RMS}
- **Common mode voltage:**
600 V_{RMS}
- **Influence of adjacent conductor:**
< 10 mA/A at 50 Hz
- **Influence of conductor position in jaws:**
0.5% of the reading
- **Battery:**
9 V alkaline (NEDA 1604 A, IEC 6LR61)
- **Low battery signal:**
Green LED when the battery voltage > 6.5 V
- **Battery life:**
50 hours with Alkaline battery
- **Overload indication:**
Red LED
- **Auto switch-off:**
10 minutes

MECHANICAL SPECIFICATIONS

- **Operating temperature:**
-10 °C to +55 °C
- **Storage temperature:**
-40 °C to +80 °C
- **Relative humidity for operation:**
+10 °C to +35 °C: 90 ± 5% RH (without condensation)
+40 °C to +55 °C: 70 ± 5% RH (without condensation)
- **Influence of temperature:**
< 300 ppm/°K or 0.3%/10 °K
< 0.3 A/°K
- **Influence of humidity:**
10% at 90% RH at reference temperature: < 0.1%
- **Operating altitude:**
0 to 2,000 m
- **Zero adjustment:**
±10 A by push-button
- **Max. jaw insertion capacity:**
1 cable Ø 42 mm, 2 cables from Ø 25.4 mm or
2 busbars from 50 x 5 mm
- **Casing protection rating:**
IP30 in accordance with IEC 529

- **Drop test:**
1 m on a 38 mm container of oak on concrete, test in accordance with IEC 1010
- **Shock resistance:**
100 g, in accordance with IEC 68-2-27
- **Vibration resistance:**
test in accordance with IEC 68-2-6
- **Frequency range:**
5 to 15 Hz: amplitude: 1.5 mm
15 to 25 Hz: amplitude: 1 mm
25 to 55 Hz: amplitude: 0.25 mm
- **Self-extinguishing capability:**
Casing and jaws: UL94 V0
- **Dimensions:**
236.5 x 97 x 44 mm
- **Weight:**
520 g
- **Colours:**
Dark grey and red jaws
- **Output:**
Via 1.5 m double insulated cable with 4 mm male safety plug

SAFETY SPECIFICATIONS

- **Electrical safety:**
Double or reinforced insulation between the primary and secondary circuits and the outer casing in accordance with IEC 1010-1-2 (indoor use).
600 V category III, pollution 2
300 V category IV, pollution 2
- **Electromagnetic compatibility (EMC):**
EN 50081-1: class B
EN 50082-2:
- Electrical discharge IEC 1000-4-2
- Radiated field IEC 1000-4-3
- Fast transients IEC 1000-4-4
- Magnetic field at 50/60 Hz: IEC 1000-4-8

(1) Conditions of reference: 18 °C at 28 °C, 20% to 75% RH, 48 Hz to 65 Hz, external magnetic field < 40 A/m, no DC component, no current-carrying conductor nearby, centred test sample, charge ≥ 1 MΩ and ≤ 100 pF, reset to zero before measurement (only DC) DC to 65 Hz, battery 9 V ± 0.1 V

To order	Reference
AC/DC current clamp model PAC21 with battery and user's manual	P01120069
AC/DC current clamp model PAC21 in carrying case with battery and user's manual	P01120069D

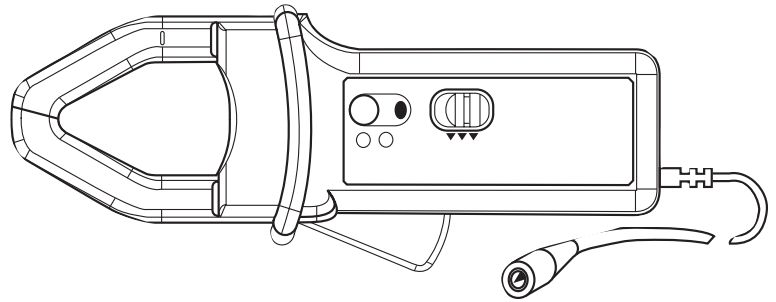
Model PAC22 (insulated AC/DC current probe)

Current	100 A AC 150 A DC	1,000 A AC 1,400 A DC
Output	10 mV/A	1 mV/A

DESCRIPTION

The PAC22 model accurately measures AC or DC currents using the Hall-effect principle.

This clamp with mV output on BNC (direct reading on oscilloscopes, etc.) is equipped with an automatic DC zero system.



ELECTRICAL SPECIFICATIONS

- Current range:**
0.2 A AC .. 100 A AC (150 A peak) / 0.4 A DC .. 150 A DC
0.5 A AC .. 1,000 A AC (1,400 A peak) / 0.5 A DC .. 1,400 A DC

- Output signal:**
10 mV AC+DC / A AC+DC (1.5 V for 150 A)
1 mV AC+DC / A AC+DC (1.4 V for 1,400 A)

- Accuracy and phase shift ⁽¹⁾:**

- 150 A calibre

Primary current	0.5 A .. 10 A	10 A .. 20 A	20 A .. 100 A	100 A .. 150 A (only DC)
% Accuracy of output signal	≤ 1.5 % + 5 mV	≤ 1.5 % + 5 mV	≤ 1.5 %	≤ 1.5 %
Phase shift	not specified	≤ 3°	≤ 2.2°	-

- 1,400 A calibre

Primary current	0.5 A .. 10 A	10 A .. 100 A	100 A .. 200 A	200 A .. 800 A	800 A .. 1,000 A	1,000 A .. 1,400 A (only DC)
% Accuracy of output signal	≤ 1.5 % + 1 mV	≤ 1.5 % + 1 mV	≤ 2.5 %	≤ 2.5 %	≤ 4 %	≤ 4 %
Phase shift	not specified	≤ 2°	≤ 2°	≤ 1.5°	≤ 1.5°	-

- Bandwidth:**
DC .. 10 kHz (-3 dB) (depending on current value)

- Rise/fall time from 10 % to 90 %:**
24 μs

- 10 % delay time:**
15 μs

- Insertion impedance (at 400 Hz / 10 kHz)**
< 2.7 mΩ / < 67 mΩ

- Maximum currents:**
3,000 A DC or 1,000 A AC continuous for a frequency ≤ 1 kHz (limitation proportional to the inverse of one third of the frequency above that)

- DC zero adjustment:**

Automatic

- 60 A calibre:

± 10 A in 25 mA to 40 mA increments

- 600 A calibre:

± 10 A in 25 mA to 40 mA increments

- Typical output noise level (peak-peak) from DC to 100 kHz:**

- 150 A calibre:

DC to 1 kHz: ≤ 8 mV or 0.8 A DC

DC to 5 kHz: ≤ 12 mV or 1.2 A DC

0.1 Hz to 5 kHz: ≤ 2.0 mV_{RMS} or 0.2 A_{RMS}

- 1,400 A calibre:

DC to 1 kHz: ≤ 1 mV or 1 A DC

DC to 5 kHz: ≤ 1.5 mV or 1.5 A DC

1 Hz to 5 kHz: ≤ 500 μV_{RMS} or 0.5 A_{RMS}

- Output impedance:**

100 Ω

- Battery:**

9 V alkaline (NEDA 1604A, IEC 6LR61)

- Battery life:**

50 hours typical

- Typical consumption:**

10 mA typical / 14 mA max.

- Battery level indicator:**

Green LED

- Overload indication:**

Red LED indicates the measured current is too high for the selected range

Influence of power supply voltage:

≤ 0.1 % of the reading

- Influence of temperature:**

Measurement: ≤ 300 ppm/K or 0.3 % of output signal per 10 °K

DC zero: 40 mA/10 °K

- Influence of relative humidity:**

< 0.5 % of output signal

- Influence of adjacent conductor at 23 mm:**

≤ 10 mA/A at 50 Hz

- Influence of external field:**

≤ 1.3 A for 400 A/m

- Influence of Ø 20 mm conductor position in jaws:**

DC to 440 Hz: ≤ 0.5 % of the reading

DC to 1 kHz: ≤ 1 % of the reading

DC to 2 kHz: ≤ 3 % of the reading

DC to 5 kHz: ≤ 10 % of the reading

- Influence of frequency ⁽²⁾:**

< 1 % of output signal from 65 Hz .. 440 Hz

< 3.5 % of output signal from 440 Hz .. 2 kHz

3 dB of output signal from 2 kHz .. 10 kHz

- Common mode rejection:**

> 65 dB A/V at 50 Hz

- Remanence:**

0 to 100 A DC: 1 A typical

0 to 250 A DC: 1.7 A typical

0 to 500 A DC: 2.5 A typical

0 to 1,000 A DC: 3.6 A typical

0 to 1,400 A DC: 4.4 A typical

MECHANICAL SPECIFICATIONS

- **Max. jaw opening:**
31 mm
- **Clamping capacity:**
Cables: Ø 39 mm
 Ø 25.4 mm x 2
Bars: 1 busbar 50 x 12.5 mm
 2 busbars 50 x 5 or 31.5 x 10 mm
 3 busbars 25 x 8 mm
 4 busbars 25 x 5 mm
- **Output:**
Coaxial cable 2 m long, terminated by an insulated BNC connector
- **Dimensions:**
236.5 x 97 x 44 mm
- **Weight:**
520 g with battery
- **Operating temperature:**
-10 °C to +55 °C
- **Storage temperature:**
-40 °C to +80 °C

- **Relative humidity for operation:**
0 to 85 % RH with a linear decrease above 35 °C
- **Operating altitude:**
0 to 2,000 m
- **Casing protection rating:**
IP40 (IEC 529)
- **Drop test:**
1 m (IEC 68-2-32)
- **Shock resistance:**
100 g / 6 ms / half-periode (IEC 68-2-27)
- **Protection against impacts:**
IK04 0.5 J (EN 50102)
- **Vibration resistance:**
5-15 Hz: 1.5 mm peak
15-25 Hz: 1 mm peak
25-55 Hz: 0.25 mm peak
(IEC 68-2-6)
- **Self-extinguishing capability:**
UL94 V2
- **Colours:**
Dark grey case with red jaws

SAFETY SPECIFICATIONS

- **Electrical safety:**
Instrument with double insulation or reinforced insulation between the primary the secondary and the grippable part located under the guard as per IEC 1010-1 & IEC 1010-2-032
- 600 V category III, pollution degree 2
- 300 V category IV, pollution degree 2
- **Electromagnetic compatibility (EMC):**
EN 50081-1: class B
EN 50082-2:
- Electrostatic discharge IEC 1000-4-2:
4 kV in contact, performance criterion B
8 kV in the air, performance criterion B
- Radiated field IEC 1000-4-3:
3 V/m level 2: influence < 5 % of measurement range
- Fast transients IEC 1000-4-4:
1 kV performance criterion B
- Magnetic field at the network frequency (IEC 1000-4-8): field of 30 A/m at 50 Hz level 4 performance criterion A
- Conducted disturbances (IEC 1000-4-6):
3 V performance criterion A

(1) Conditions of reference: 23 °C ± 5 °K, 20 % at 75 % RH, power supply voltage 9 V ± 0.1 V DC sinusoidal signal with frequency of DC to 65 Hz, external magnetic field < 40 A/m, no DC components, no external conductor with circulating current, conductor centred for measurement, load impedance > 1 MΩ / < 100 pF.

(2) Out of reference domain.

To order	Reference
Current clamp for AC/DC current model PAC22 for oscilloscope with battery and user's manual	P01120073

Oscilloscope clamp for AC/DC current

Model PAC22 (insulated AC/DC current probe)

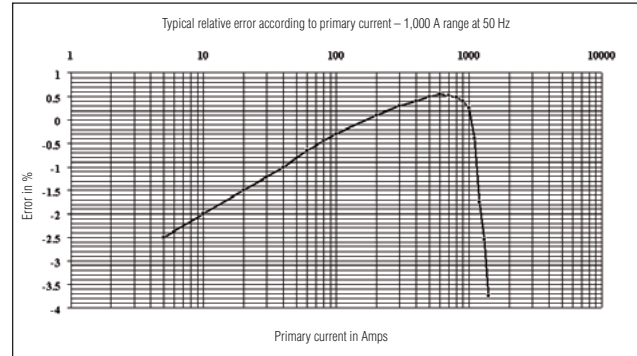
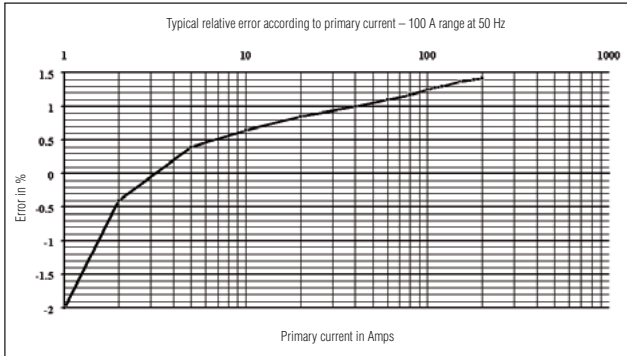
PAC series

CURVES

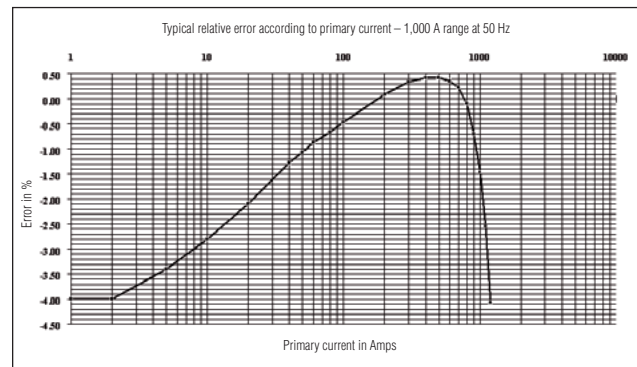
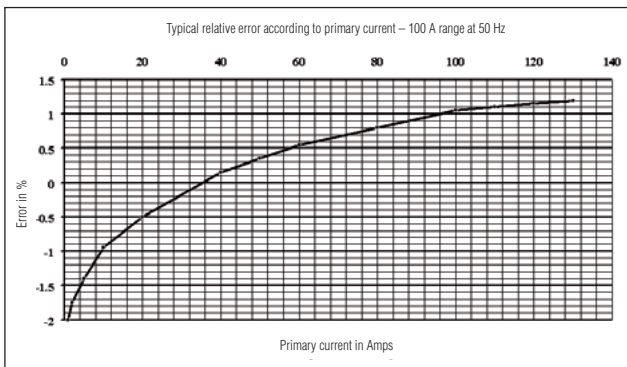
150 A calibre

1,400 A calibre

Linearity in DC

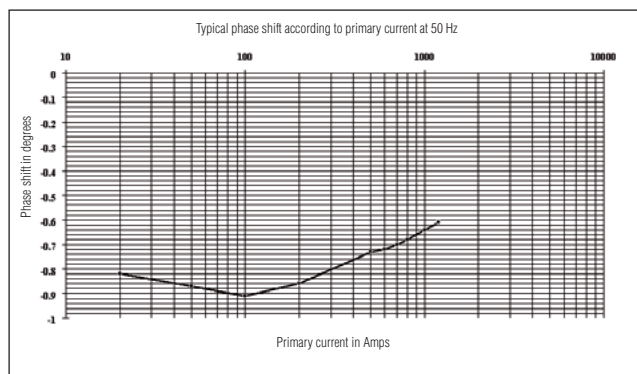
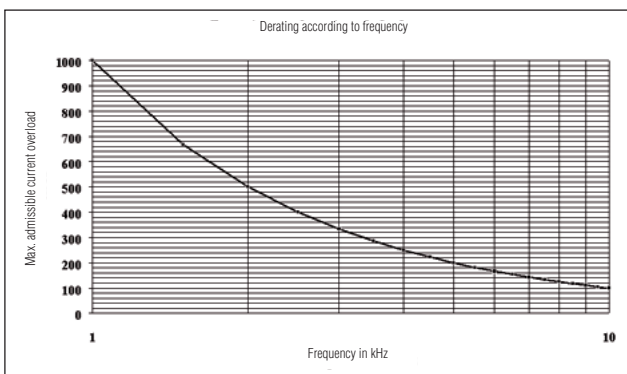


Linearity in AC



Limitation of measurable current according to the frequency

Phase shift



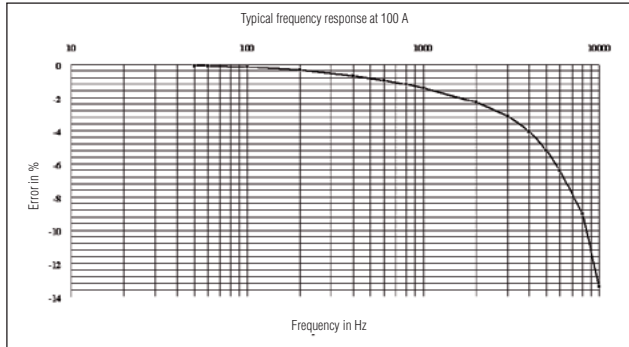
Oscilloscope clamp for AC/DC current

Model PAC22 (insulated AC/DC current probe)

PAC series

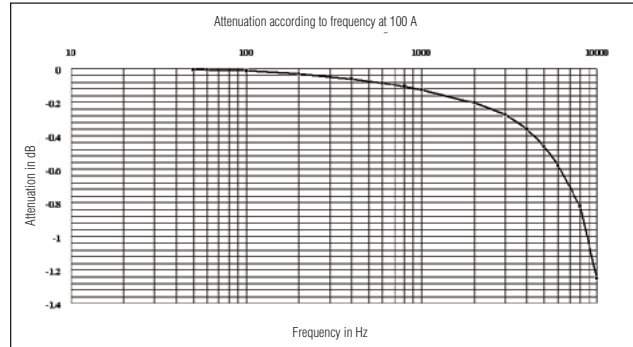
CURVES

Frequency response



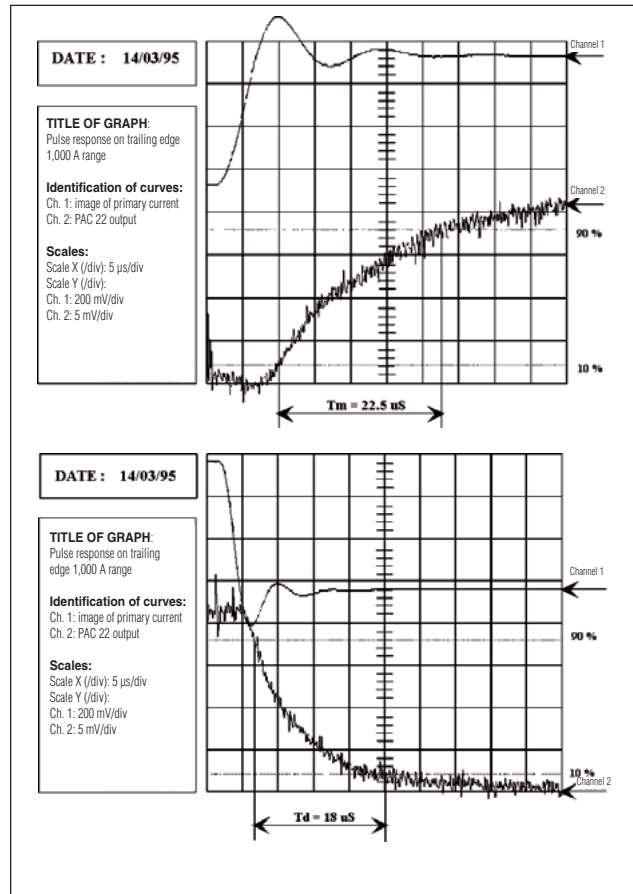
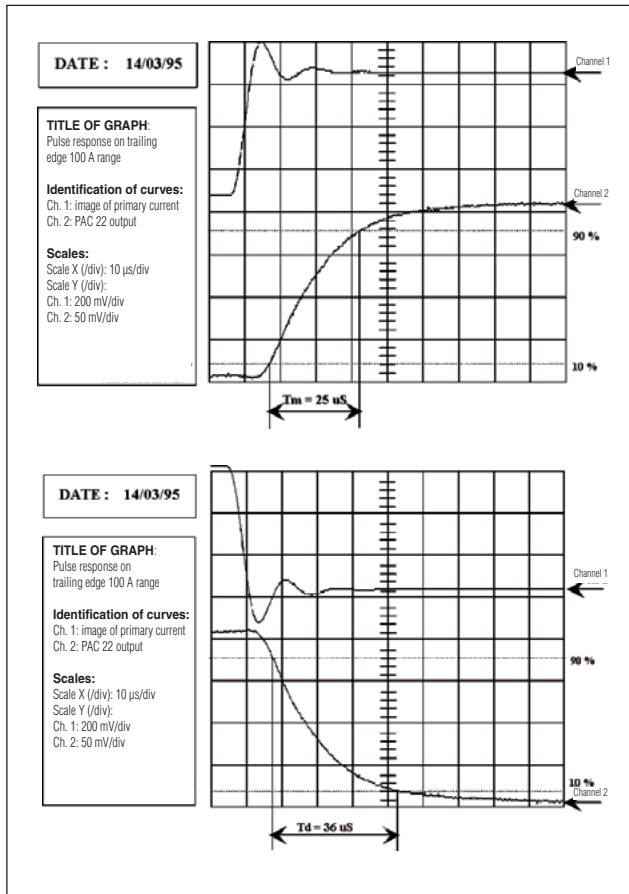
150 A calibre

Attenuation according to frequency



1,400 A calibre

Pulse response



Autorisierter Distributor

DEUTSCHLAND
Chavin Arnoux GmbH



TWV Meßtechnik GmbH
Sommelweg 31
32257 Bünde
Fon: 05223 / 9277 - 0
Fax: 05223 / 9277 - 40
info@twvbuende.de
www.twvbuende.de